

BRIDGE PLATE
UNDER ADJACENT
PANEL EXTRUSION

SHIM AS REQUIRED

FASTENER AS SPECIFIED
@ 24" O.C. MAX.

FACTORY APPLIED
SILICONE SEALANT

CONTINUOUS EXTRUDED
VINYL WIPER GASKET

6" BRIDGE PLATE BEYOND
TYPICAL AT VERTICAL
INTERSECTION

FACTORY APPLIED
RDX4-F CONTINUOUS
ALUMINUM EXTRUSION

3/8" WEEP HOLE 4"
FROM PANEL CORNER

SEAL TAPE

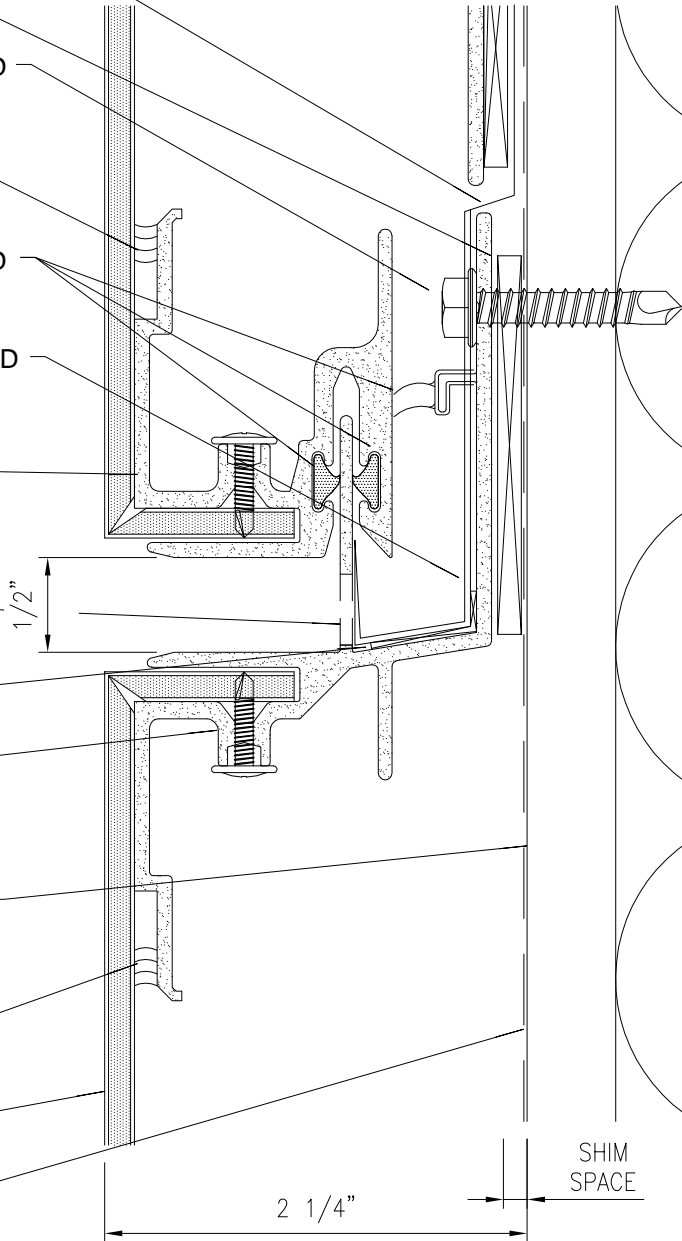
FACTORY APPLIED
RDX4-M CONTINUOUS
ALUMINUM EXTRUSION

EXT. SHEATHING OVER
METAL STUD FRAMING
STUDS @ 24" O.C. MAX.

FACTORY APPLIED
SILICONE SEALANT

4mm ALUMINUM
COMPOSITE PANELS

MOISTURE
BARRIER



TYPICAL HORIZONTAL JOINT



ARMETCO SYSTEMS INC.
11647 Armetco Drive
Justin, Texas 76247
800-647-3778 WWW.ARMETCO.COM

RDX4
CONTINUOUS ROUT & RETURN DRY SYSTEM
ALUMINUM COMPOSITE MATERIAL

MAY, 2006

D1